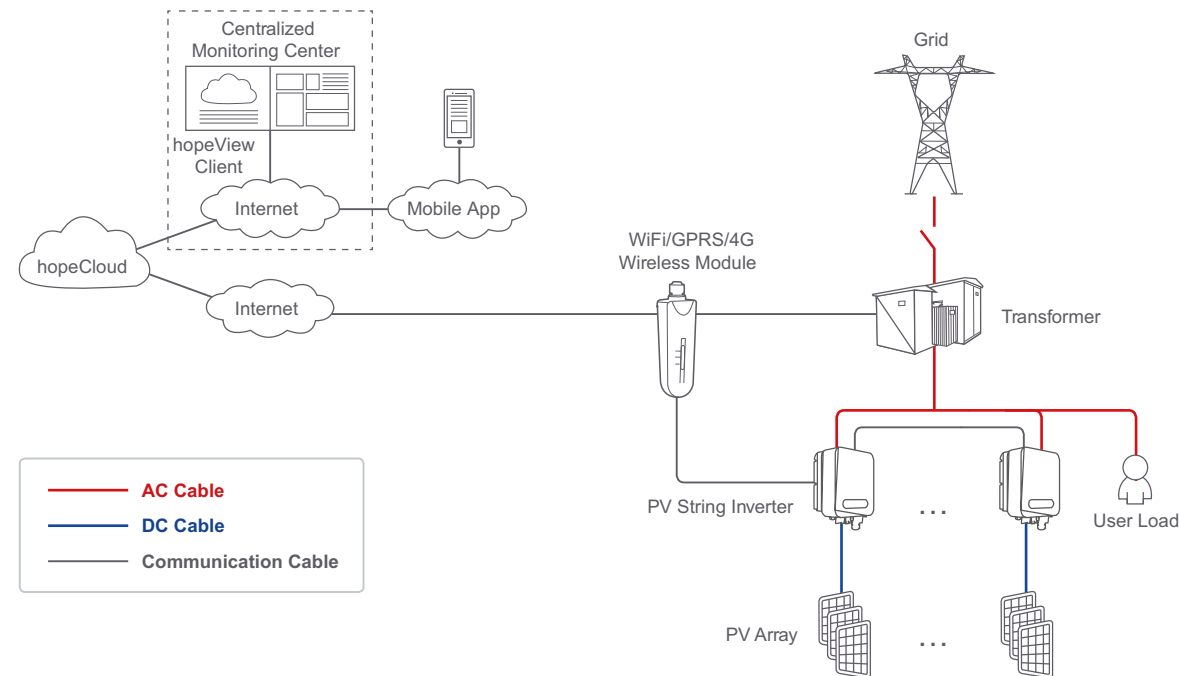


Product Description

The WiFi/GPRS wireless/4G module is used to extend the WiFi data transmission channel of the device. It supports mobile phone APP connection, monitoring, parameter settings.



For Small Household



Performance Characteristics



Easy to Use

- Support RS485 port connections, plug and play.
- Support cloud platform monitoring services.
- Support remote modification of local parameters, support remote firmware upgrade.



Flexible

- Support multiple data formats.
- Support fast adaptation of all kinds of equipment.



Stable

- Industrial components and designs, can work at high temperatures.
- Under voltage protection and built-in hardware watchdog, the system automatically restarts when fault happens.
- Real-time detection of online status, the device will never be dropped.

Technical Parameters

Model		WiFi Module	
External Interface	Docking Mode	Aviation connector	
	Working Indicator	Power supply, networking, data transmission, data reception	
WiFi Parameter	Operating Frequency	2.412GHz~2.484GHz	
	Wireless Standard	802.11 b/g/n	
	Antenna Gain	2.5dBi (external)	
	Data Rate	11Mbps@11b, 54Mbps@11g, 72Mbps@11n	
	Hardware Encryption	WEP, WPA / WPA2	
	Communication Distance	100m (open environment)	
	Working Mode	AP + STA (coexistence mode)	
Software Parameter	Supported Device Protocol	Modbus-RTU, Modbus-TCP	
	Data Upload Cycle	5 minutes (default)	
	Parameter Configuration Mode	APP	
	Number of Clients in AP Mode	1 (preemptive)	
Hardware Parameter	Data Input Mode	RS485 (9600bps)	
	Data Output Mode	WiFi	
Model		GPRS Module	4G Module
External Interface	Power Port	Power input: 5~24VDC	Power input: 8~15VDC
	Data Input Mode	RS485 (9600bps)	
	Data Output Mode	GPRS	4G
	Acquisition Baud Rate	9600 (default)	
	Data Acquisition Interval	5 minutes	
GPRS Parameter	Operating Frequency	GSM850 / EGSM900 / DCS1800 / PCS1900	EGSM900 / DCS1800 / PCS1900 / IMT2100
	Antenna Gain	2.5dBi	824~960MHz 0.5dBi / 1710~2690MHz 1dBi
	Maximum Transmission Rate	85.6Kbps	10M
	SIM Card	Standardized GPRS Nano card (Including 5 year usage)	m2m / Sim card (Including 5 year usage)
Software Parameter	Application Layer Protocol	Modbus-RTU	
	Network Layer Protocol	Modbus-TCP	
	Parameter Setting	Remote server	
General Parameters	Protection Degree	IP65	IP66
	Installation Mode	Aviation connector installation	
	Operating Temperature	-30 ~+85	